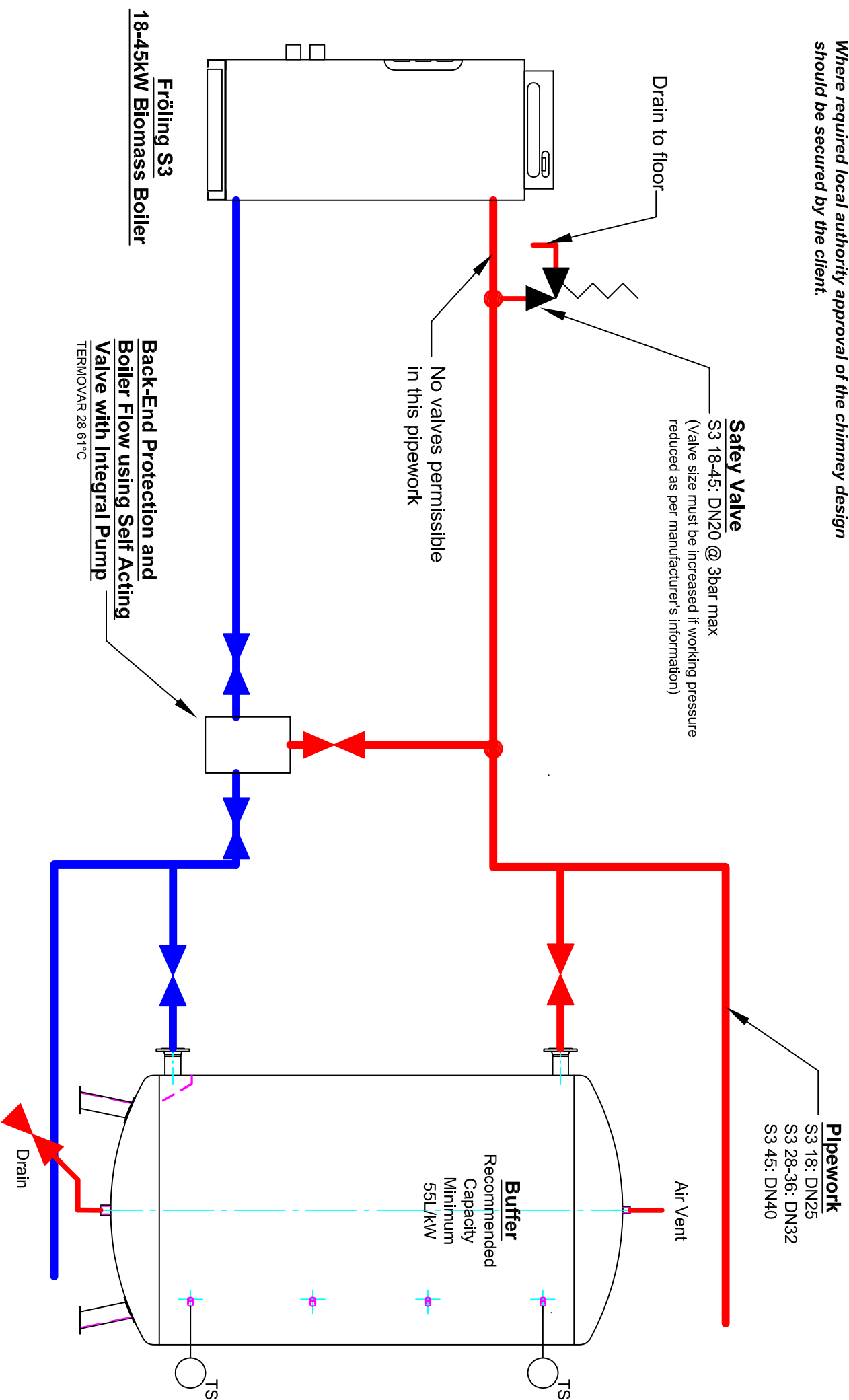
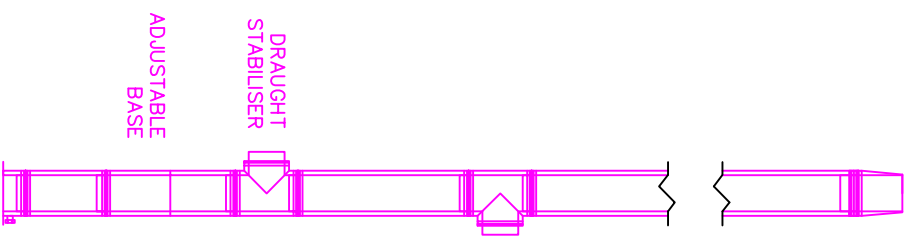


Flue
 S3 18: 150mm ID to 4.30m
 S3 28: 150mm ID to 4.40m
 S3 36: 150mm ID to 4.90m
 S3 45: 200mm ID to 4.20m

NOTE:
 Please note that flue specifications are typical and are subject to confirmation on a project-specific basis. Flue and chimney system must be completed in accordance with the Clean Air Act and associated legislation. Where required local authority approval of the chimney design should be secured by the client.

NOTE:
 Pumps and valves are typical for 20m total (flow and return) boiler to buffer pipe length and are subject to confirmation based on a project specific design study.



econenergy
 ECONENERGY LTD.
 UNITS 8 & 9
 ST GEORGES TOWER,
 HATLEY ST GEORGE,
 SANDROPSHIRE
 ENGLAND SG19 3SH
 Tel: +44 (0) 870 054 5554
 Fax: +44 (0) 870 054 5553
 Email: admin@econenergy.ltd.uk

PROPRIETARY & CONFIDENTIAL
 THIS DOCUMENT IS THE PROPERTY OF ECONENERGY LIMITED AND SHALL NOT BE COPIED, SHARED OR OTHERWISE USED, EITHER WHOLE OR IN PART, FOR ANY PURPOSE OTHER THAN THAT FOR WHICH IT IS SUPPLIED WITHOUT THE EXPRESS WRITTEN AUTHORITY OF ECONENERGY LIMITED

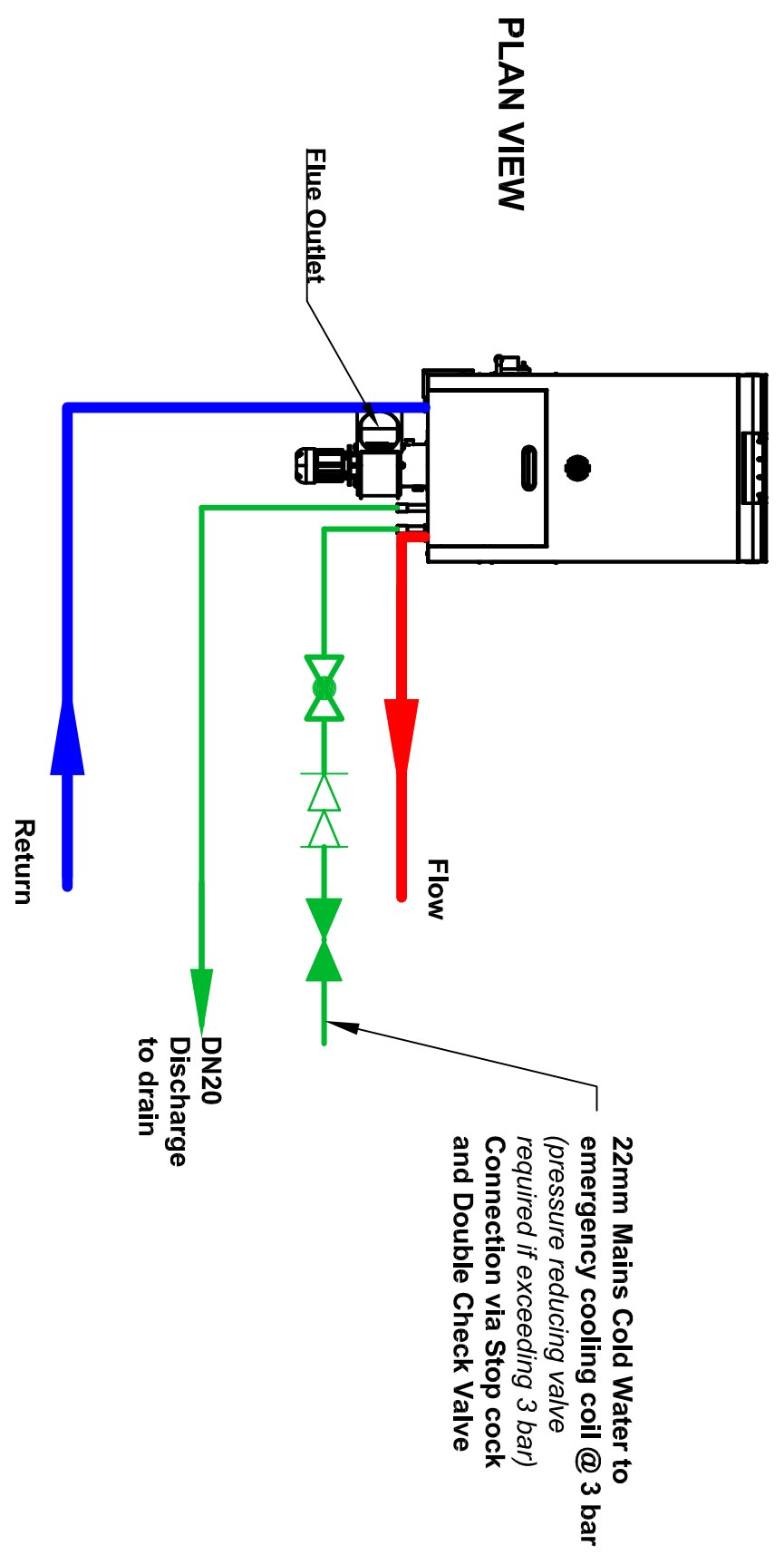
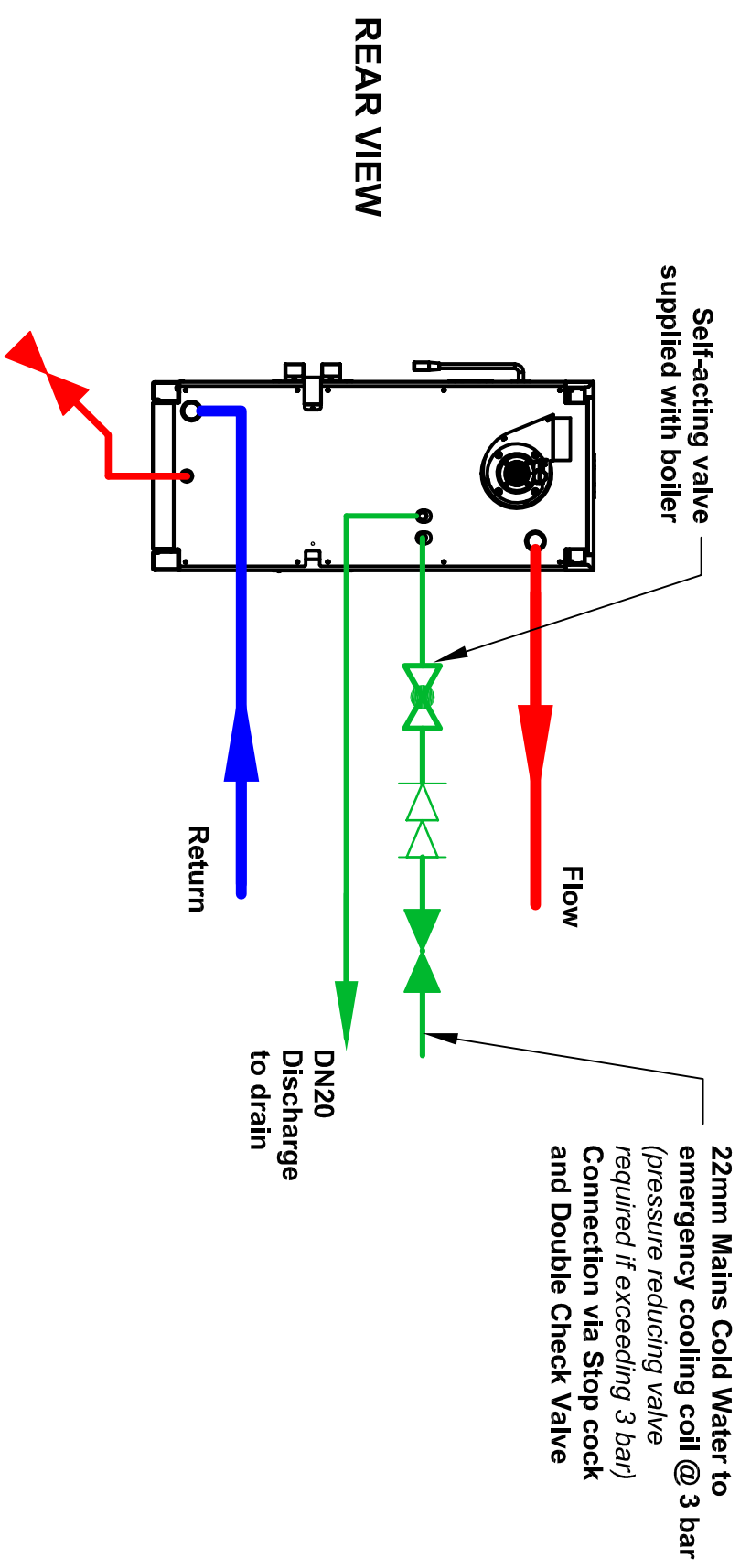
Please note that Econenergy Ltd accept no liability for accidents, fire, explosion, damage to property, injury or loss of life caused by the use of any product specified and commissioned by Econenergy.
 • Only drawings issued with "Constructor" stamp checked and approved to be used for installation.

DO NOT SCALE!
 DRAWN ON CAD - DO NOT ALTER BY HAND

Please refer to relevant PWB for approvals and revision history

THIS DRAWING IS PROVISIONAL ONLY AND IS NOT TO BE USED FOR INSTALLATION

Drawing Title	
Fröling S3 18-45kW Hydraulic Design Datasheet	
Scale	Sheet Size A3
Drawn by	Date
CP	17/11/09
Revision	Sheet
P02	1/2
Drawing Number	
ET-5230	



22mm Mains Cold Water to emergency cooling coil @ 3 bar
(pressure reducing valve required if exceeding 3 bar)
Connection via Stop cock and Double Check Valve

22mm Mains Cold Water to emergency cooling coil @ 3 bar
(pressure reducing valve required if exceeding 3 bar)
Connection via Stop cock and Double Check Valve

econergy
 ECONERGY LTD.
 UNITS 8 & 9
 ST GEORGES TOWER,
 HATLEY ST GEORGE,
 SANDHURST,
 BERKSHIRE
 ENGLAND, RG5 3SH
 Tel: +44 (0) 870 054 5554
 Fax: +44 (0) 870 054 5553
 Email: admin@econergy.ltd.uk

PROPRIETARY & CONFIDENTIAL
 THIS DOCUMENT IS THE PROPERTY OF ECONERGY LIMITED AND SHALL NOT BE COPIED, SHARED OR OTHERWISE USED, EITHER WHOLE OR IN PART, FOR ANY PURPOSE OTHER THAN THAT FOR WHICH IT IS SUPPLIED WITHOUT THE EXPRESS WRITTEN AUTHORITY OF ECONERGY LIMITED

Please note that Econergy Ltd accept no liability for accidents, injury, spoilage and commission by Econergy.
 • Only drawings issued with 'Constructor' stamp checked and approved to be used for installation.

DO NOT SCALE!
 DRAWN ON CAD - DO NOT ALTER BY HAND

Please refer to relevant PWB for approvals and revision history

THIS DRAWING IS PROVISIONAL ONLY AND IS NOT TO BE USED FOR INSTALLATION

Drawing Title	
Fröling S3 18.45kW Hydraulic Design Datasheet	
Scale	Sheet Size A3
N/A	
Drawn by	Date
CP	17/11/09
Revision	Sheet
P02	2/2
Drawing Number	
ET-5230	