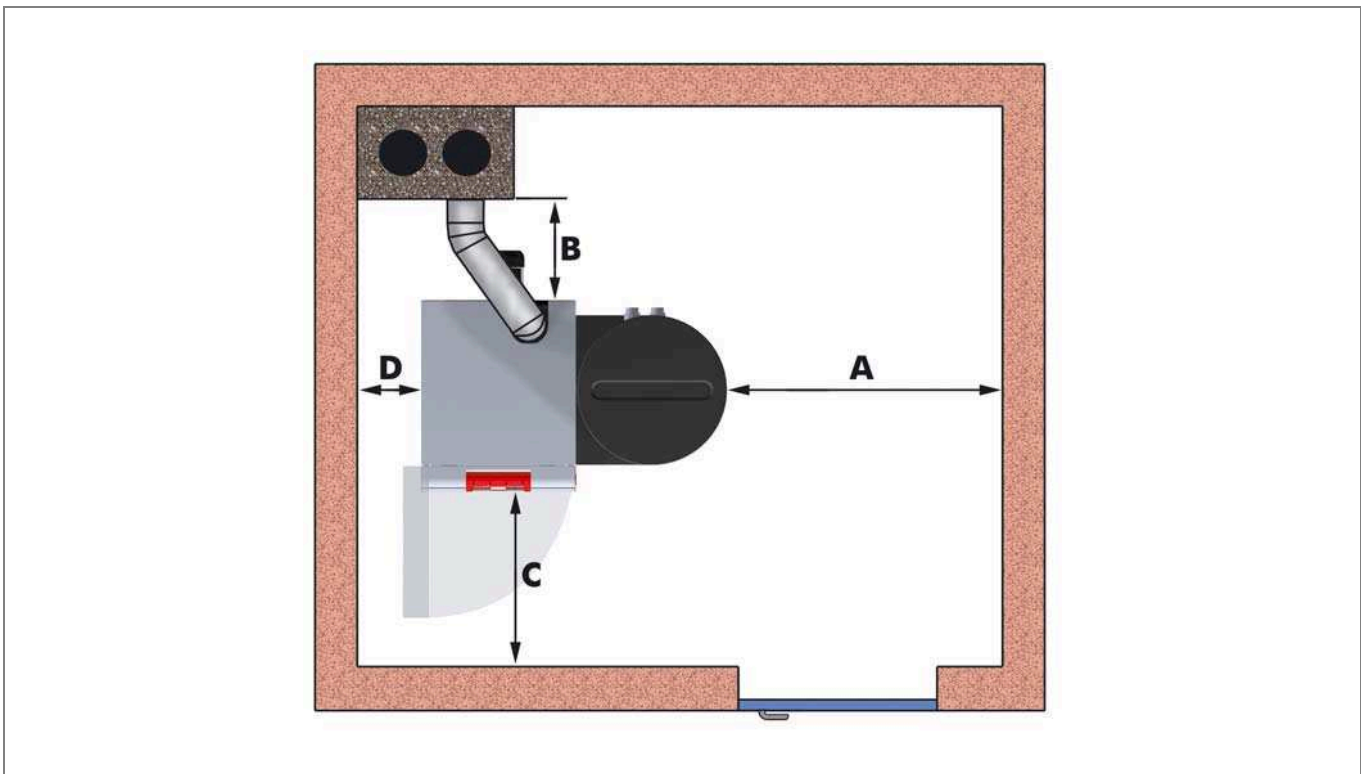


### 3.2.2 Moving the boiler in the boiler room

- ❑ Position a lifting truck or similar lifting device with an appropriate load-bearing capacity at the base frame of the boiler and move to the specified place
- ❑ Set up boiler at intended location
  - ☞ Put red boiler underlays under the frame.
  - ☞ Observe the minimum distances in the boiler room.

### 3.2.3 Minimum distances in the boiler room



			P4 Pellet				
Description	Units		8/15	20/25	32/38	48/60	80/100
A	Minimum distance to suction cyclone assembly	mm	300	300	300	300	300
B	Induced draught fan maintenance area		300	300	300	300	300
C	Space for insulated door		550	720	830	490	590
	Space requirement with plug-in insulated door		400	400	300	-	-
D	Minimum distance to side of boiler		200	200	200	200	200